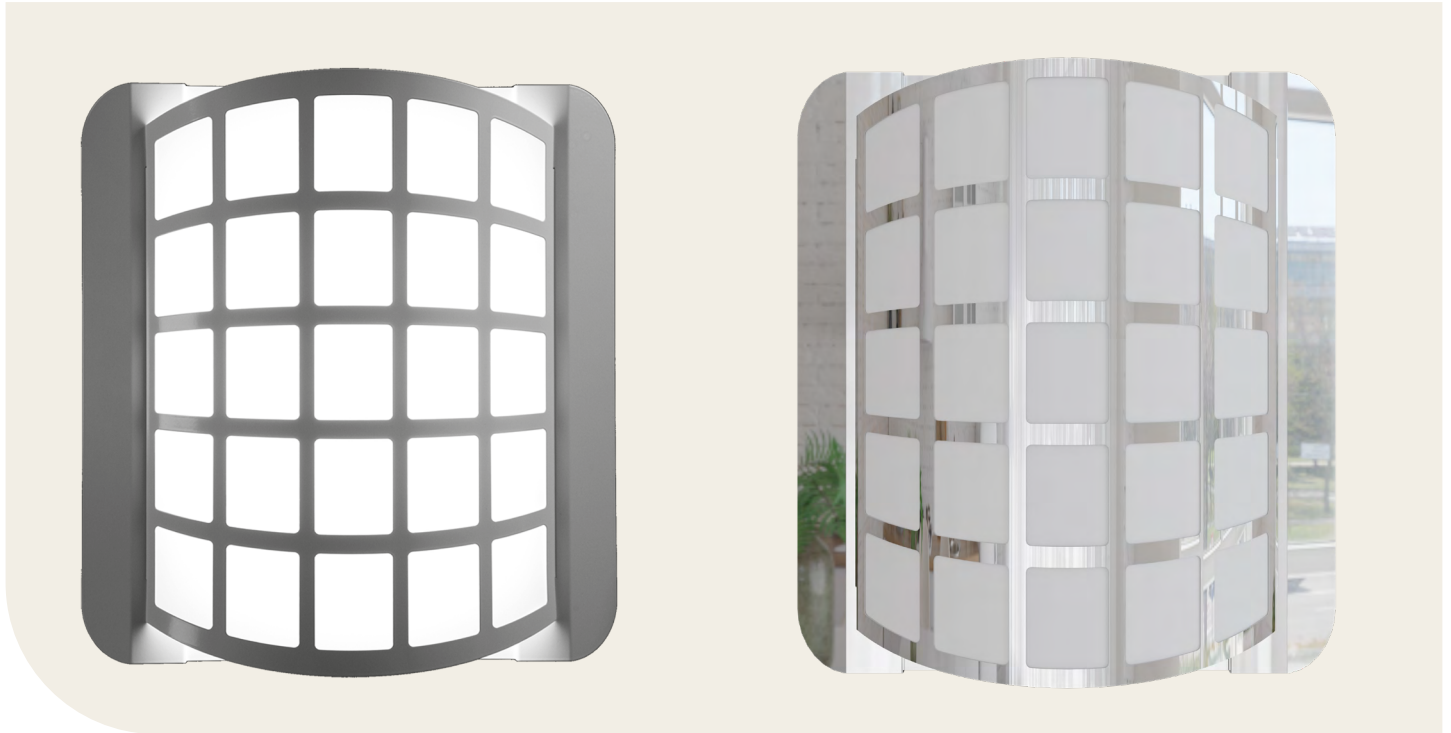


# Claustra

Simple elegant and extremely effective. This luminaire can be supplied in a variety of RAL colours.



## Features

- Manufactured from mild steel
- Constant output driver
- Opal polycarbonate diffuser insert
- Company logos can be laser cut to order
- 22K, 27K, 3K, 4K, 5K, 65K LEDs

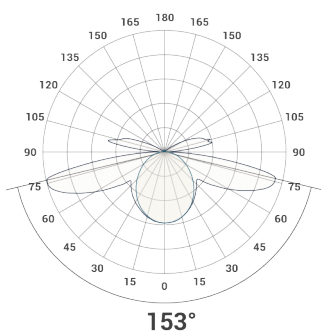
## Applications

- Architectural
- Education
- Leisure
- Office
- Retail

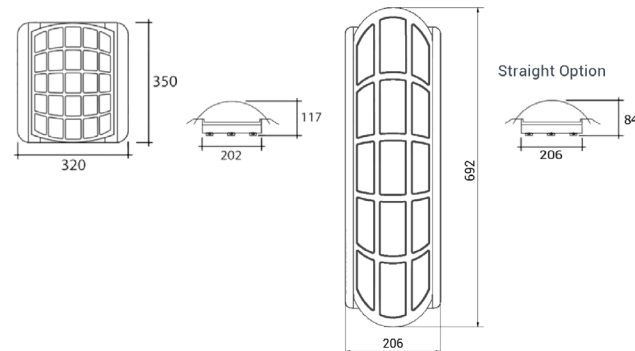
## Accessories

- EMFL** EM LiFePO4 (4W)
- EMFLST** EM SELFTTEST LiFePO4 (4W)
- EMFLP** EM PRO LiFePO4 (4W)
- BL** Black Paint Finish
- SI** Silver Grey Paint Finish
- ST** Straight Option

## Photometric



## Dimensions



# Claustra



## Technical Details

Part No.	Description	Power (W)	Luminaire Lumens	LI/cW
CLA-6-4K	Wall Mounted Fitting	6	701	116.8
CLA-10-4K	Wall Mounted Fitting	10	1029	102.9
CLAS-11-4K	Wall Mounted Fitting   Straight Option	11	1138	103.5
CLAS-22-4K	Wall Mounted Fitting   Straight Option	22	2240	101.8

Body Material	Diffuser Material	Housing Colour	Mounting Type	CCT Offering	CRI	SDCM	UGR Rating	Dimmable	Dimming Method
Mild Steel	Polycarbonate	RAL9003	Surface	22K, 27K, 3K, 4K, 5K, 65K	80+	3 step Macadam Ellipse	N/A	Available	SwitchDIM/DALI

IP Rating	IK Rating	Operating Temperature (°C)	L/B value <sup>A</sup>	Terminal Information	Warranty	Weight (kg)
IP20	N/A	-20° + 40°	60K+ L90/B10	2.5mm Push connector	5 Year warranty 1 year parts and Labour Inclusive	N/A

<sup>A</sup>: L/B value based on T<sub>a</sub>25°C operating temperature, standard operation of luminaire within stated parameters. For specific detail please contact [info@powerlitefitz.co.uk](mailto:info@powerlitefitz.co.uk)

Please contact [info@powerlitefitz.co.uk](mailto:info@powerlitefitz.co.uk) for the Inrush current (A) & No.Per 10A breaker.