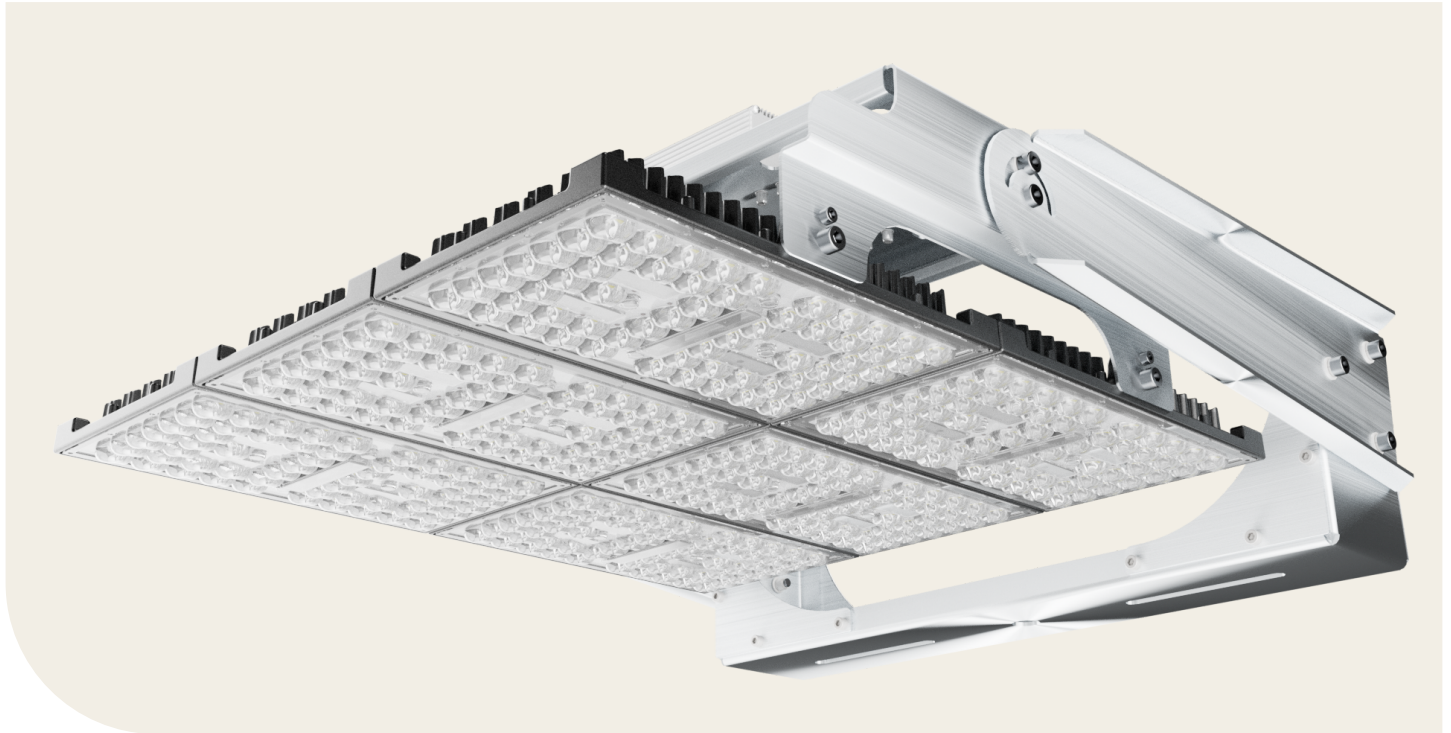


Regor 11

The Regor 11 is the ultimate LED solution for traditional SON and metal halide floodlight fixtures, providing optimum light output. This high output LED floodlight is available in a range of outputs.



Features

- IP65
- IK10
- Range of outputs available
- Front and rear visor options available
- Universal under-hang and top mount bracket
- Wireless Control System Available
- 22K, 27K, 3K, 4K, 5K, 65K LED Options

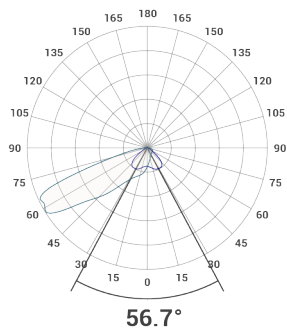
Applications

- Car Park
- External
- High Mast

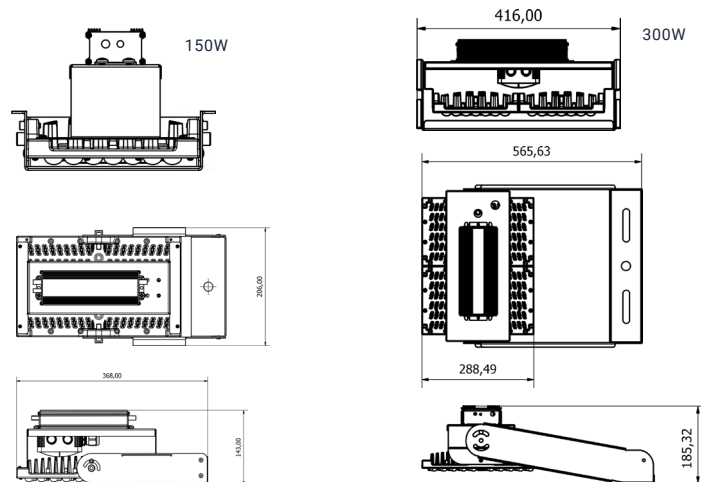
Options and Accessories

- DD** SwitchDIM/DALI
- 415V** Split Phase Driver
- C90** CRI90 LEDs
- REM** Remote driver option - cable assembly to custom length to suit any application

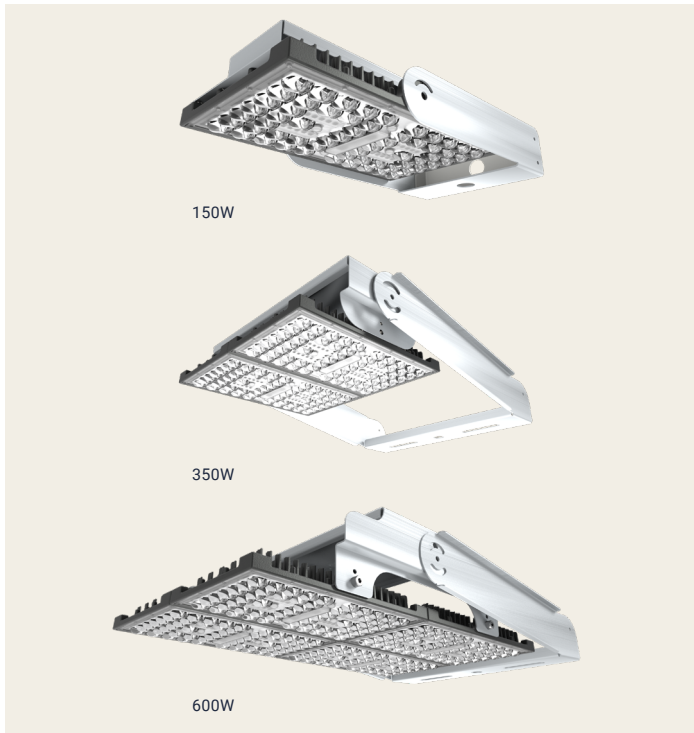
Photometric



Dimensions



Regor 11



Technical Details

Part No.	Description	Weight (kg)	Windage (m2) When flat mounted	Power (W)	Luminaire Lumens	LI/cW
R11L100-4K	IP65 Floodlight	3.5	0.0625	101	15,529	153.8
R11L150-4K	IP65 Floodlight	3.5	0.0625	155	22,618	145.9
R11L300-4K	IP65 Floodlight	7.6	0.125	308	43,736	142.0
R11L450-4K	IP65 Floodlight	14.8	0.125	462	68,400	148.1
R11L600-4K	IP65 Floodlight Remote Driver as standard	14.8	0.125	617	87,610	142.0
R11L950-4K	IP65 Floodlight Remote Driver as standard	19.5	0.15	995	140,300	141.0
R11L1200-REM-4K	IP65 Floodlight Remote Driver as standard	27.0	0.15	1196	174,600	145.9

Additional Information

Body Material	Diffuser Material	Housing Colour	Mounting Type	CCT Offering	CRI	SDCM	UGR Rating	Dimmable	Dimming Method
Anodised extruded aluminium	Polycarbonate	Aluminium	Columns	22K, 27K, 3K, 4K, 5K, 65K	80+	3 step Macadam Ellipse	N/A	Available	SwitchDIM/DALI

IP Rating	IK Rating	Operating Temperature (°C)	L/B value ^A	Terminal Information	Warranty	Weight (kg)
IP65	IK10	-20° + 40°	60K+ L90/B10	2.5mm Push connector	5 Year warranty 1 year parts and Labour Inclusive	101W - 3.5 155W - 3.5 308W - 7.6 462W - 14.8 617W - 14.8 995W - 19.5 1196W - 27.0

^A: L/B value based on T_a25°C operating temperature, standard operation of luminaire within stated parameters. For specific detail please contact info@powerlitefitz.co.uk

Please contact info@powerlitefitz.co.uk for the inrush current (A) & No.Per 10A breaker.

Regor 11



Example Code

Standard Part No.	Description	Addon Suffix	Suffix Description
R11L100-4K	100W IP65 Floodlight 4000K	DD	SwitchDIM/DALI

Final Part No.	Description
R11L100-DD-4K	100W IP65 Floodlight SwitchDIM/DALI 4000K