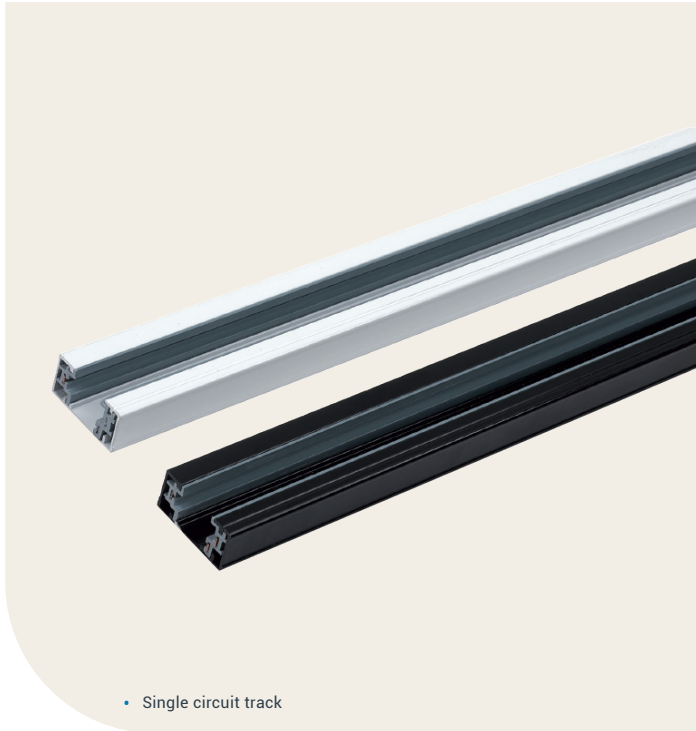


# Single Circuit





Our Single Circuit Track is made of extruded aluminium with powder coated finish. The modular structure of the system makes it easy to extend and adapt to various needs. Modular dimensions help designers fit the system into the appropriate space.



## Features

- Live and dead end with each length
- Sleek and simple design
- Track and accessories available in black and white
- Surface or suspension mounting

## Applications

-  Architectural
-  Education
-  Office
-  Retail

## Options and Accessories

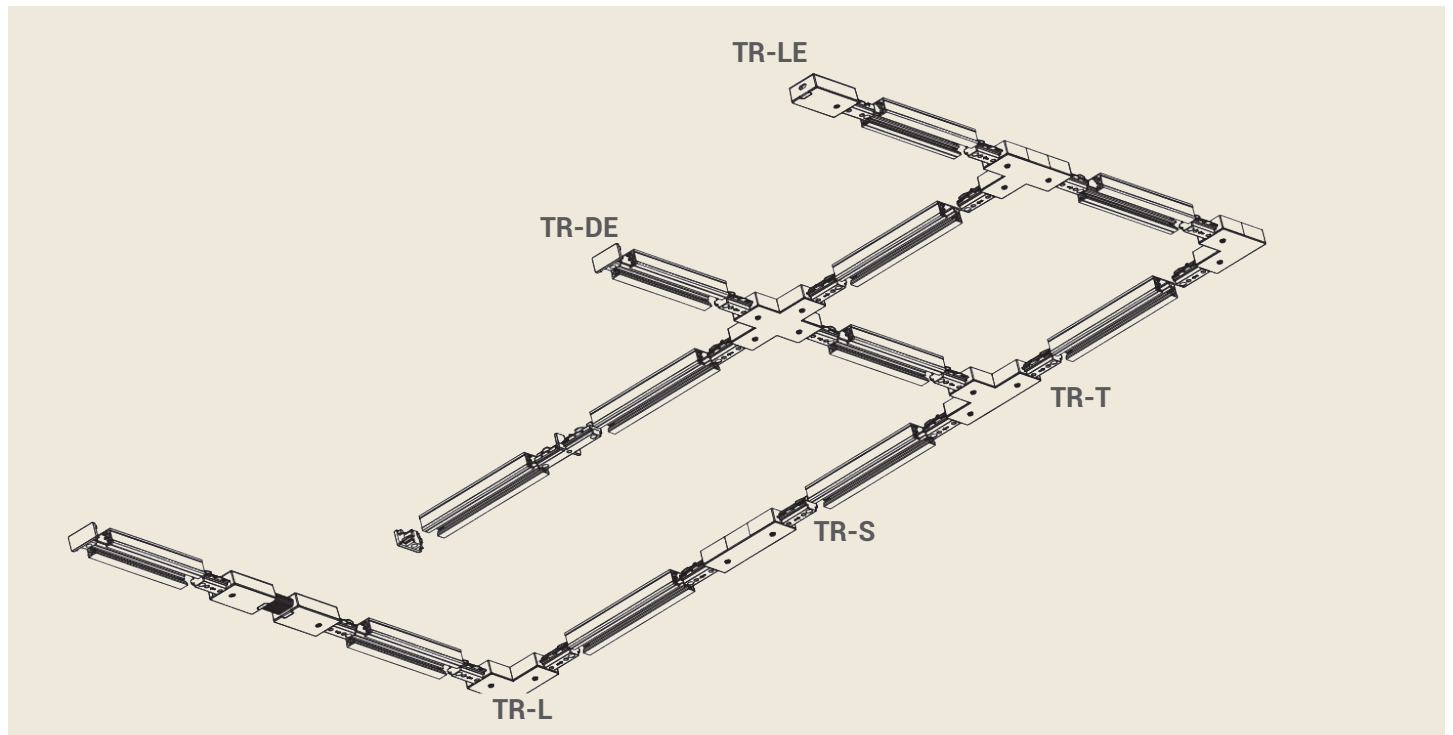
- SPW-5M** Wire Suspension Set (5M)
- SPW1** Wire Suspension Set (1.5M)
- TR-T** T Connector
- TR-L** L Connector
- TR-S** Straight Connector
- TR-DE/LE** Dead End/Live End

## Additional Diagrams and Graphs

We have introduced some of our most popular LED luminaires to single circuit track. For more information please contact us.



# Key Features



## Technical Details

	1M	2M	3M
White	TR100-W	TR200-W	TR300-W
Black	TR100-B	TR200-B	TR300-B



TR-S



TR-LE



TR-DE



TR-L



TR-T