

# Aero

Bespoke architectural 2000mm x 2000mm suspended square mesh grid luminaire offering both visual appeal and efficiency with sustainable energy savings in mind.



## Features

- Bespoke Design
- Sustainably Manufactured
- Crafted to align perfectly with the architect's vision.
- Sustainably manufactured

## Applications

- Office
- Education
- Architectural
- Retail

## The Problem

The client required a UK-manufactured bespoke architectural suspended fitting. However, the challenge was finding a manufacturer who could design, produce, and deliver a working solution within the timeframe while still matching the architect's vision. That's where Powerlite Fitzgerald stepped in.

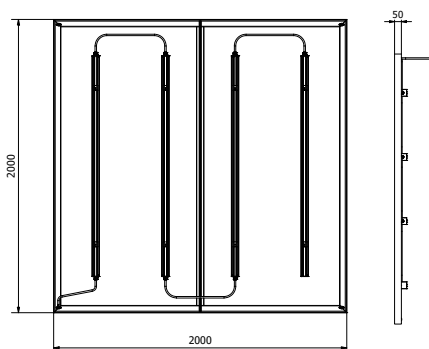
## The Solution

Our technical team worked closely with the architect to develop a suitable solution. After reviewing the plans, we designed a striking 2000 mm x 2000 mm suspended mesh grid incorporating our Zeta fittings. We achieved what others could not – a sustainably UK-manufactured fitting, designed and supplied within the project timeframe, that perfectly matched the architect's vision.

## Technical Details

Description	Power (W)	Luminaire Lumens	LI/cW
Suspended square mesh zeta grid	80	10824	135.3

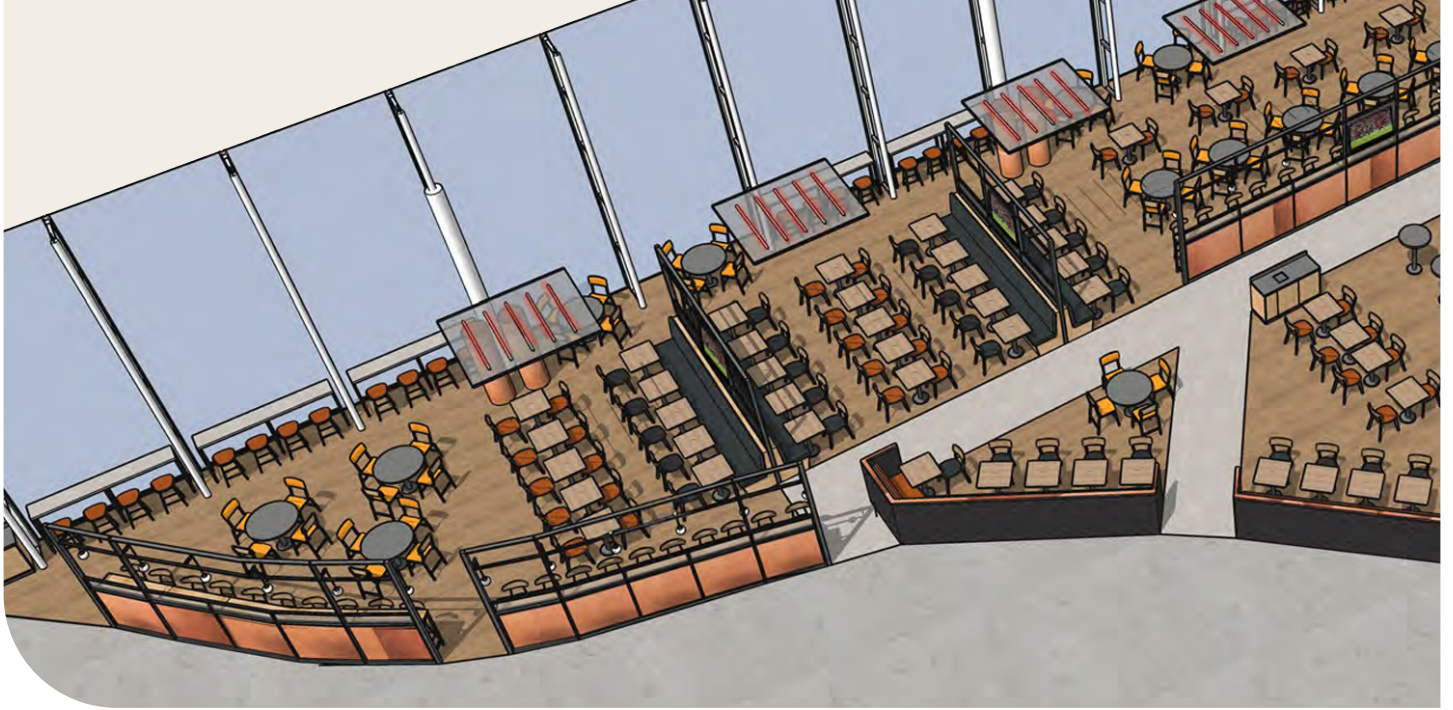
## Dimensions



# Aero



## Architects Plan



## Finished Product

